

DELAFIT AD ADAPTERS

INDUSTRIAL SPRAY NOZZLES - DELA-FIT

AD Adaptors

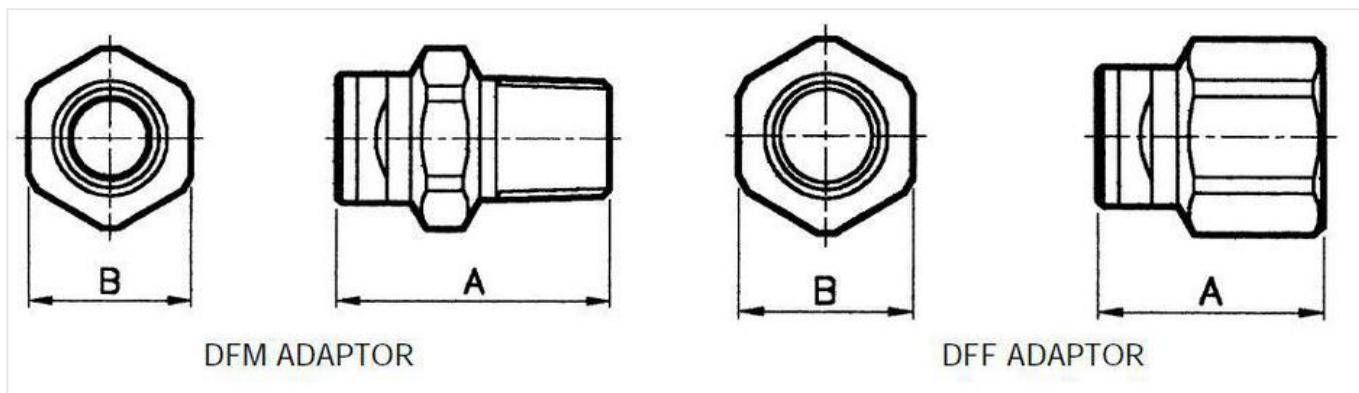
CHARACTERISTICS

- *Adapts standard threaded nozzles, hose fittings or accessories to the Dela-Fit system*
- *Can function as quick release couplings.*

CONSTRUCTION AND MATERIALS

- *Available in Brass and 316 Stainless Steel.*
- *Thread sizes are Male BSPT and Female BSPP.*

CAPACITY CHARTS



DIMENSIONS (mm)

<i>Adaptor Type</i>	<i>A</i>	<i>B Hex</i>
DF x 1/4" ADM (Male)	30,4	18,0
DF x 3/8" ADM (Male)	30,4	18,0
1/2" DF x 1/2" ADM (Male)	38,0	28,0
DF x 1/4" ADF (Female)	23,2	18,0
DF x 3/8" ADF (Female)	26,2	20,8
1/2" DF x 1/2" ADF (Female)	30,5	28,0